

MAVERICK

OFFICE SOLUTIONS MADE IN THE U.S.A



APEX

QUICK SHIP

15 DAY
LEAD
TIME

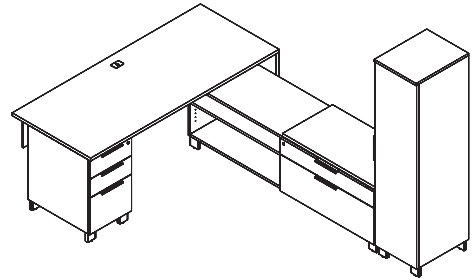
MARCH 1, 2025

COLLABORATIVE

WORKSPACE



Front Cover Shown in: Nightfall and Charcoal
Cushion: Anchorage 2335 • Onyx 2016

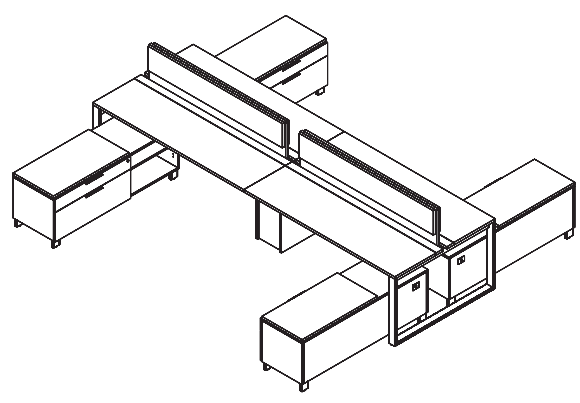


QSAP5R					
Qty	Model #	Description	List Price	Extended Price	
1	APRT3072	Rectangular Top Worksurface (30"Dx72"W)	\$552	\$552	
1	APPEDC24BBF	Supporting Box/Box/File, No Top (24"Dx16"Wx28"H)	\$1,577	\$1,577	
1	APTEG630	T-Leg (30"Dx13"Wx28"H)	\$215	\$215	
1	APSB54	External Stabilizer Bar (2"Dx2"Hx38"W)	\$141	\$141	
1	APPSL72	Frosted Acrylic Modesty (65"Wx12"H)	\$844	\$844	
1	APSBL2472R	Low Single Box/Lateral Credenza, Right (24"Dx72"Wx22"H)	\$2,705	\$2,705	
1	APCUH2436	Credenza Cushion (23"Dx36"W)	\$440	\$440	
1	APSTS2465R	Single Storage Cabinet, Right (24"Dx16"Wx65"H)	\$2,188	\$2,188	
			Total	\$8,662	



Shown in: Nightfall and Majestic White
 Cushion: Anchorage 2335 • Onyx 2016
 Tackboard: Tempest 2120 • Zebra 015

CONTINUE >>



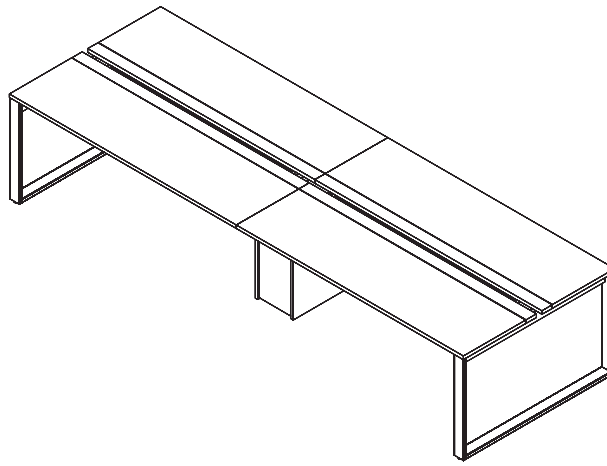
QSAP10									
Qty	Model #	Description	List Price	Extended Price	Qty	Model #	Description	List Price	Extended Price
2	APRECH4872	Two Rectangular Worksurface Shared (48"Dx72"W)	\$987	\$1,974	2	APSBL2060L	Single Box/Lateral Credenza, Left (20"Dx60"Wx22"H)	\$2,419	\$4,838
2	APODL48	D-Leg (48"Dx28"H)	\$849	\$1,698	2	APSBL2060R	Single Box/Lateral Credenza, Right (20"Dx60"Wx22"H)	\$2,419	\$4,838
2	APWMT072	Outer Wire Management Trough (59"Wx8"Dx10"H)	\$1,162	\$2,324	4	APCUH2036	Low Credenza Cushion (19"Dx36"W)	\$413	\$1,652
4	APSB72	External Stabilizer Bar (2"Dx2"Hx56"W)	\$181	\$724	1	APESC72	System Hardwire Electrical Starter Cable (72")	\$296	\$296
1	APLEGM1224	Square Panel Base Hollow, with End Access Door (12"Dx24"W)	\$605	\$605	4	APSSPB4	Single Sided Power Box with 4 Power Outlets	\$231	\$924
2	APPSUW7215	TFM Privacy Screen (65"Wx15"Hx1"D)	\$389	\$778	2	APDCE60	52" Daisy Chain Electrical Cable	\$296	\$592
4	APTkbd1065	Tackboard (10"Hx64"W)	\$703	\$2,812	1	APDCE72	72" Daisy Chain Electrical Cable	\$328	\$328
					2	APGANG1	Ganging Hardware	\$54	\$108
								Total	\$24,491



■ Shown in: Driftwood and Majestic White

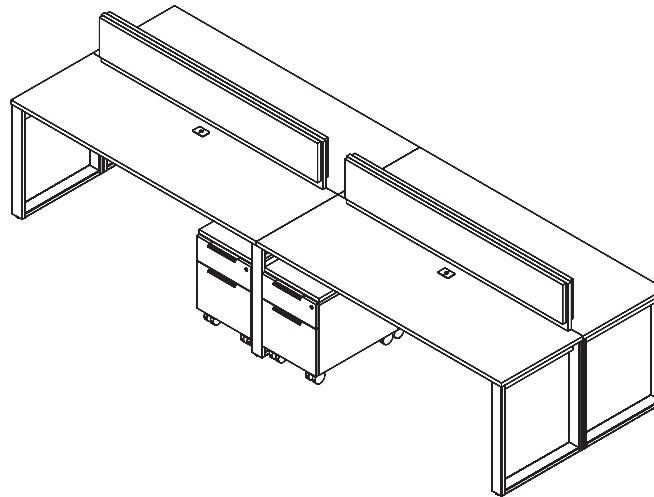


■ Shown in: Asian Sand
Cushion: Phrase 9508 • Shale 3070
Tackboard: Phrase 9508 • Cayenne 3040



QSAP8

Qty	Model #	Description	List Price	Extended Price	Qty	Model #	Description	List Price	Extended Price
2	APRECH4872	Two Rectangular Worksurface Shared (48"Dx72"W)	\$987	\$1,974	4	APSB72	External Stabilizer Bar (2"Dx2"Hx56"W)	\$181	\$724
2	APODL48	D-Leg (48"Dx28"H)	\$849	\$1,698	1	APESC72	System Hardwire Electrical Starter Cable (72")	\$296	\$296
2	APWMT072	Outer Wire Management Trough (59"Wx8"Hx10"D)	\$1,162	\$2,324	4	APSSPB4	Single Sided Power Box with 4 Power Outlets	\$231	\$924
1	APLEGM1224	Square Panel Base Hollow, with End Access Door (12"Dx24"W)	\$605	\$605	2	APDCE60	52" Daisy Chain Electrical Cable	\$296	\$592
					1	APDCE72	72" Daisy Chain Electrical Cable	\$328	\$328
					2	APGANG1	Ganging Hardware	\$54	\$108
								Total	\$9,573



QSAP7

Qty	Model #	Description	List Price	Extended Price	Qty	Model #	Description	List Price	Extended Price
4	APRT2472	Rectangular Top Worksurface (24"Dx72"W)	\$495	\$1,980	2	APPSUW7212	TFM Privacy Screen (65"Wx12"Hx1"D)	\$193	\$386
4	APODL24	D-Leg (24"Dx28"H)	\$416	\$1,664	4	APTKBD1065	Tackboard (10"Hx64"W)	\$703	\$2,812
2	APMDL24	Shared D-Leg (24"Dx28"H)	\$810	\$1,620	4	APPEDAX20BF	Mobile BF Pedestal (19"Dx16"Wx22"H)	\$1,249	\$4,996
8	APSB72	External Stabilizer Bar (2"Dx2"Hx56"W)	\$181	\$1,448	4	APCUH2016	Mobile Pedestal Cushion (19"Dx16"W)	\$330	\$1,320
								Total	\$16,226

CONTINUE >>

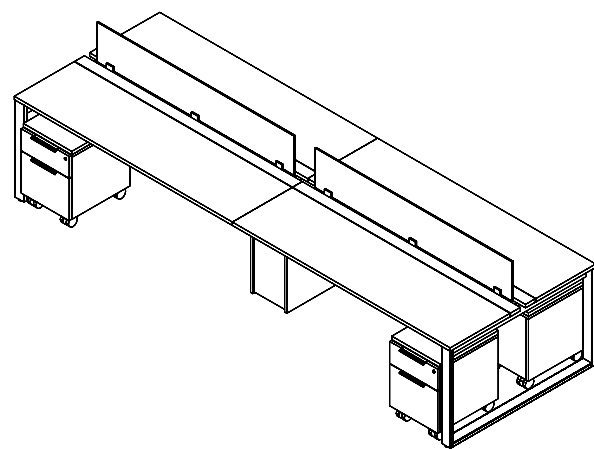


Shown in: Majestic White and Amber
Cushion: Anchorage 2335 • Waterfall 2691

Front Cover

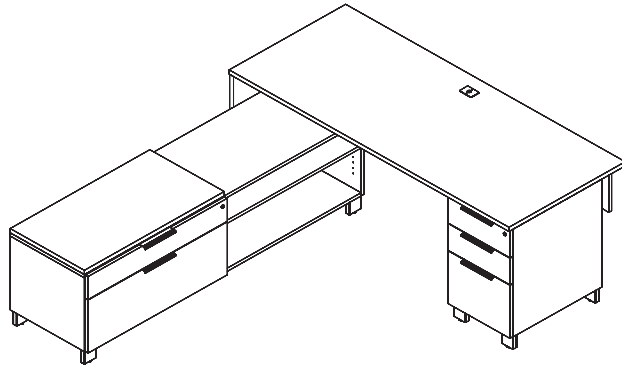
QSAP9

Qty	Model #	Description	List Price	Extended Price	Qty	Model #	Description	List Price	Extended Price
2	APRECH4872	Two Rectangular Worksurface Shared (48"Dx72"W)	\$987	\$1,974	4	APPEDAX20BF	Mobile BF Pedestal (19"Dx16"Wx22"H)	\$1,249	\$4,996
2	APODL48	D-Leg (48"Dx28"H)	\$849	\$1,698	4	APCUH2016	Mobile Pedestal Cushion (19"Dx16"W)	\$330	\$1,320
2	APWMT072	Outer Wire Mgmt Trough (59"Wx8"Hx10"D)	\$1,162	\$2,324	1	APESC72	System Hardwire Electrical Starter Cable (72")	\$296	\$296
4	APSB72	External Stabilizer Bar (2"Dx2"Hx56"W)	\$181	\$724	4	APSSPB4	Single Sided Power Box with 4 Power Outlets	\$231	\$924
1	APLEGM1224	Square Panel Base Hollow, with End Access Door (12"Dx24"W)	\$605	\$605	2	APDCE60	52" Daisy Chain Electrical Cable	\$296	\$592
2	APPSU72	Frosted Acrylic Privacy Screen (65"Wx12"Hx1"D)	\$844	\$1,688	1	APDCE72	72" Daisy Chain Electrical Cable	\$328	\$328
					2	APGANG1	Ganging Hardware	\$54	\$108
								Total	\$17,577



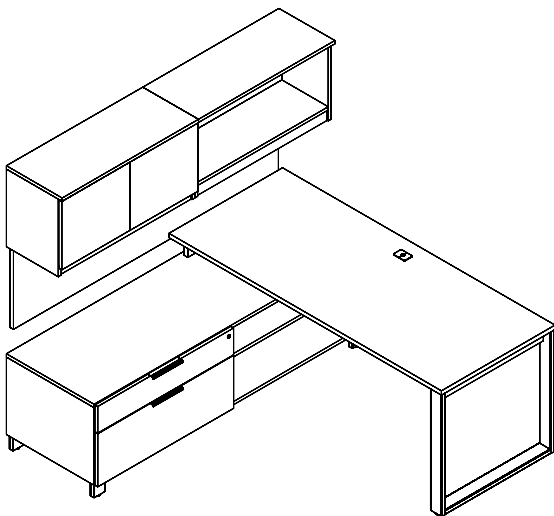
PRIVATE OFFICE





QSAP4L

Qty	Model #	Description	List Price	Extended Price
1	APRT3072	Rectangular Top Worksurface (30"Dx72"W)	\$552	\$552
1	APPEDC24BBF	Supporting Box/Box/File, No Top (24"Dx16"Wx28"H)	\$1,577	\$1,577
1	APTLEG30	T-Leg (30"Dx13"Wx28"H)	\$215	\$215
1	APSB54	External Stabilizer Bar (2"Dx2"Hx38"W)	\$141	\$141
1	APPSLW72	TFM Modesty Panel (12"Hx65"W)	\$193	\$193
1	APSB12072L	Low Single Box/Lateral Credenza, Left (20"Dx72"Wx22"H)	\$2,515	\$2,515
1	APCUH2036	Credenza Cushion (19"Dx36"W)	\$413	\$413
Total			\$5,606	\$5,606

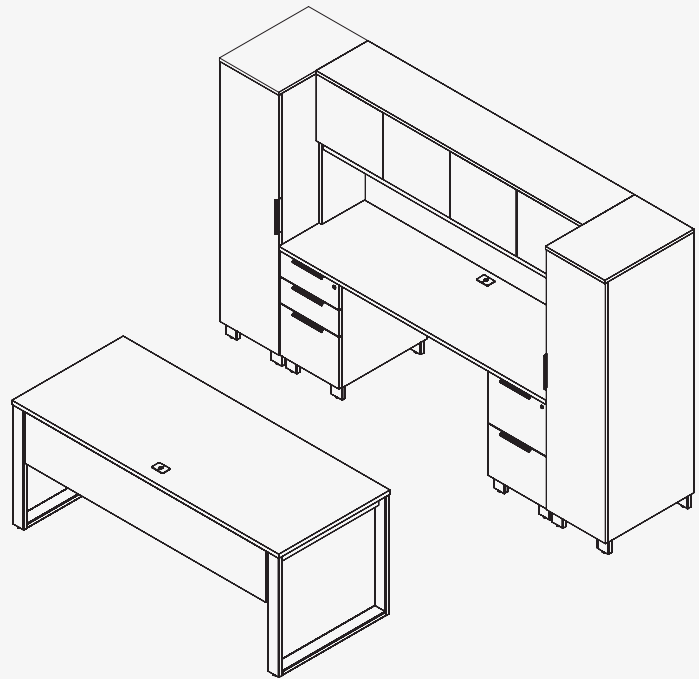


QSAP1L

Qty	Model #	Description	List Price	Extended Price
1	APRT3072	Rectangular Top Worksurface (30"Dx72"W)	\$552	\$552
1	APODL30	D-Leg (30"Dx28"H)	\$443	\$443
1	APTLEG3006	Low Credenza TFM T-Leg (22"Dx13"Wx28"H)	\$192	\$192
2	APSB72	External Stabilizer Bar (2"Dx2"Hx56"W)	\$181	\$362
1	APSB12472L	Low Single Box/Lateral Credenza, Left (24"Dx72"Wx22"H)	\$2,705	\$2,705
1	APCFOHD36	Wall Mounted Overhead Cabinet with Hinged Doors	\$1,138	\$1,138
1	APCFOH036	Wall Mounted Overhead Cabinet with no Doors	\$899	\$899
1	APTKBD1972	Tackboard (70"Wx19"H)	\$781	\$781
Total			\$7,072	\$7,072



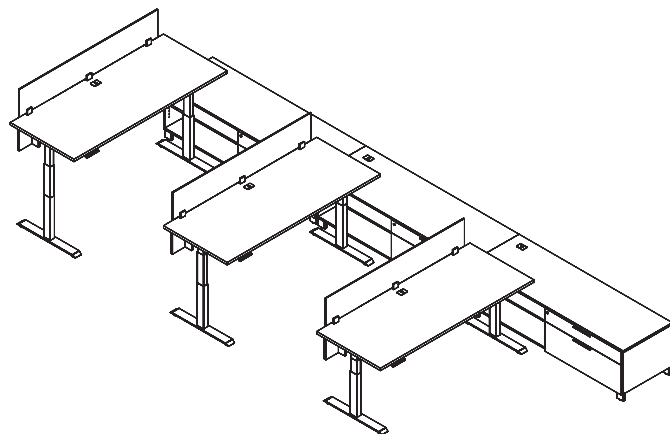
Shown in: Spice Walnut and Majestic White
Tackboard: Phrase 9508 • Sprout 3020



QSAP2				
Qty	Model #	Description	List Price	Extended Price
1	APRT3072	Rectangular Top Worksurface (30"Dx72"W)	\$552	\$552
1	APRT2472	Rectangular Top Worksurface (24"Dx72"W)	\$495	\$495
2	APODL30	D-Leg (30"Dx28"H)	\$443	\$886
1	APPSLW72	TFM Modesty Panel (12"Hx65"W)	\$193	\$193
2	APSB72	External Stabilizer Bar (2"Dx2"Hx56"W)	\$181	\$362
1	APPEDC24BBF	Supporting Box/Box/File, No Top (24"Dx16"Wx28"H)	\$1,577	\$1,577
1	APPEDD24FF	Supporting File/File, No Top (24"Dx16"Wx28"H)	\$1,509	\$1,509
2	APCF0HD36	Wall Mounted Overhead Cabinet with Hinged Doors	\$1,138	\$2,276
1	APTKBD1972	Tackboard (70"Wx19"H)	\$781	\$781
1	APSTS2465L	Single Storage Cabinet, Left (24"Dx16"Wx65"H)	\$2,188	\$2,188
1	APSTS2465R	Single Storage Cabinet, Right (24"Dx16"Wx65"H)	\$2,188	\$2,188
			Total	\$13,007

HEIGHT ADJUSTABLE

Mobility that supports your ascent





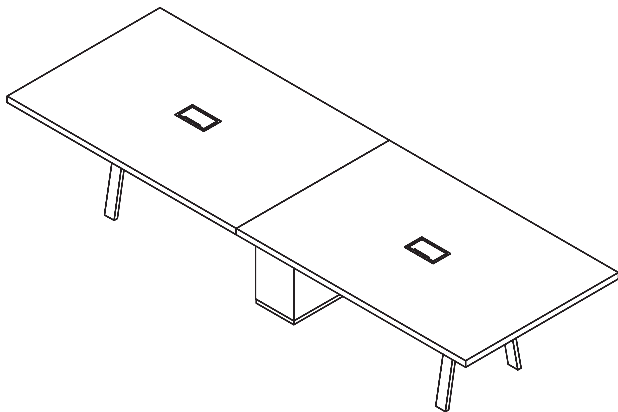
Shown in: Amber
 Height Adjustable Bases: White
 HPL Modesty: Seafoam | Privacy Screens: Frosted Acrylic

QSAP3R				
Qty	Model #	Description	List Price	Extended Price
3	APRT3072	Rectangular Top Worksurface (30"Dx72"W)	\$552	\$1,656
3	MMLEGAHE30S	Adjustable Height Electrical Legs (30"Dx72"Wx23-48"H) Silver	\$1,498	\$4,494
3	APPSLW72	TFM Modesty Panel (12"Hx65"W)	\$193	\$579
Qty	Model #	Description	List Price	Extended Price
3	APPSU72	Frosted Acrylic Privacy Screen (65"Wx12"Hx1"D)	\$844	\$2,532
3	APPSBL2472R	Low Single Box/Lateral Credenza, Right (24"Dx72"Wx22"H)	\$2,705	\$8,115
			Total	\$17,376

CONFERENCE



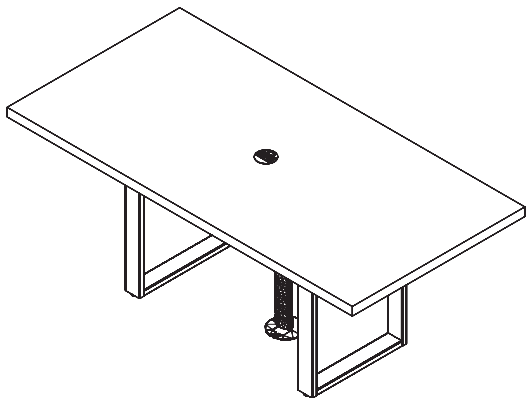
Shown in: Nightfall
Legs: Silver



QSAP12C				
Qty	Model #	Description	List Price	Extended Price
1	APRE48144	Rectangular Conference Table 2pcs Top (48"Dx144"Wx1 3/4"H)	\$2,564	\$2,564
2	APLEGA24S	A-Frame Leg 24"D Silver	\$764	\$1,528
1	MMLEGMP1324WD	Square Panel w/ End Access Door & Plinth Base (13"Dx24"Wx28"H)	\$1,041	\$1,041
2	APWMT	Wire Management Trough Box	\$526	\$1,052
2	MMPWRDLX2S	Metal Brushed Silver Power Mgmt Unit, Center Left & Right	\$1,644	\$3,288
			Total	\$9,473



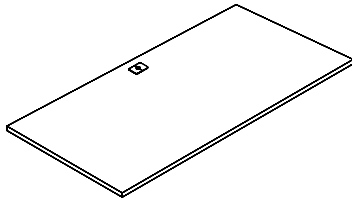
Shown in: Beachwood
Legs: Silver



QSAP11C

Qty	Model #	Description	List Price	Extended Price
1	APRE3672	Rectangular Conference Table Top 36"Dx72"Wx1 3/4"H	\$1,052	\$1,052
2	APMDL20S	Shared D-Leg 20"D Silver	\$780	\$1,560
1	APSWM	Spine Wire Management	\$274	\$274
1	GRPRGR3S	Round Power Grommet Silver, Center	\$268	\$268
Total				\$3,154

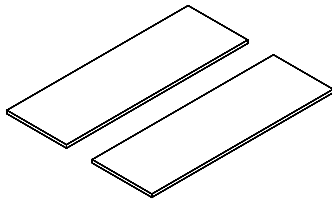
Worksurfaces 15 DAYS



Rectangular Worksurface

Model#	Depth	Width	Height	Weight	Cube	Price
APRT2436	24"	36"	1"	23	1	\$296
APRT2442	24"	42"	1"	27	1	\$319
APRT2448	24"	48"	1"	30	1	\$333
APRT2454	24"	54"	1"	34	1	\$422
* APRT2460	24"	60"	1"	38	1	\$441
* APRT2466	24"	66"	1"	42	1	\$472
* APRT2472	24"	72"	1"	45	1	\$495
* APRT3060	30"	60"	1"	47	2	\$486
* APRT3072	30"	72"	1"	57	2	\$552

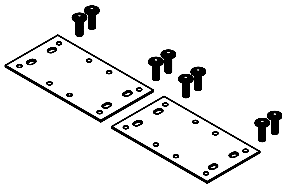
1 Silver square grommet (top center) standard. Center 3" clear from approach.
 Depending on support configuration, external stabilizer may be required on tops of 54" or greater.
 * 2 stabilizer bars are required on 60", 66" & 72" wide worksurfaces when supporting with left & right Double post leg, D-legs or T-legs



Two Rectangular Worksurfaces Shared

Model#	Depth	Width	Height	Weight	Cube	Price
APRECH4860	48"	60"	1"	63	2	\$885
APRECH4872	48"	72"	1"	75	2	\$987

* 2 Stabilizer bars are required.

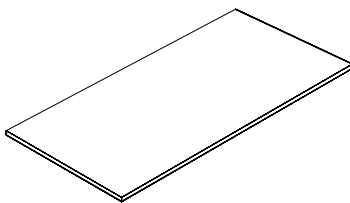


Connecting Hardware (Brackets & bolts)

Model#	Depth	Width	Height	Weight	Cube	Price
APGANG1	4"	6"	.25"	2	1	\$54
APGANG2	4"	6"	.25"	3	1	\$108

NOTE: Must be field installed.
 * If using as a return top, specify APGANG1 (2 brackets & 8 bolts 8x1" supplied).
 * If using as a bridge top, specify APGANG2 (4 brackets & 16 bolts 8x1" supplied).

Worksurfaces for Support Pedestals 15 DAYS

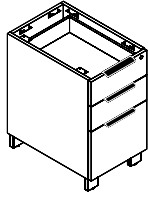


Rectangular Worksurface, Tops for Supporting Pedestals

Model#	Depth	Width	Height	Weight	Cube	Price
APTOP2036	20"	36"	1"	19	1	\$280
APTOP2436	24"	36"	1"	38	1	\$296
APTOP2072	20"	72"	1"	23	1	\$472
APTOP2472	24"	72"	1"	45	1	\$495

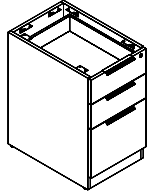
* Tops ship separately for field install, brackets are included. Tops only can be purchase for own use.
 Tops are design to fit lateral file and hinged door cabinet supporting pedestals.

Support Pedestals 15 DAYS



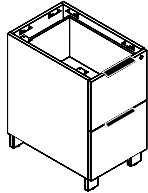
Supporting Box/Box/File with Feet, No Top (Face lock, APH1 handles)

Model#	Depth	Width	Height	Weight	Cube	Price
APPEDC20BBF	20"	16"	28"	77	6	\$1,566
APPEDC24BBF	24"	16"	28"	83	7	\$1,577



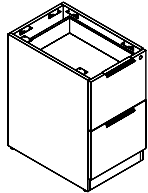
Supporting Box/Box/File with Kickbase, No Top (Face lock, APH1 handles)

Model#	Depth	Width	Height	Weight	Cube	Price
APPEDCM20BBF	20"	16"	28"	77	6	\$1,029
APPEDCM24BBF	24"	16"	28"	83	7	\$1,060



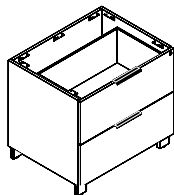
Supporting File/File with Feet, No Top (Face lock, APH1 handles)

Model#	Depth	Width	Height	Weight	Cube	Price
APPEDD20FF	20"	16"	28"	73	6	\$1,481
APPEDD24FF	24"	16"	28"	79	7	\$1,509



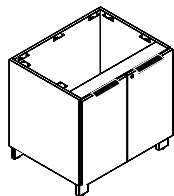
Supporting File/File with Kickbase, No Top (Face lock, APH1 handles)

Model#	Depth	Width	Height	Weight	Cube	Price
APPEDDM20FF	20"	16"	28"	73	6	\$995
APPEDDM24FF	24"	16"	28"	79	7	\$1,029



Supporting Lateral File, 2 Drawer, No Top (Face lock, APH1 handles)

Model#	Depth	Width	Height	Weight	Cube	Price
APPEDLF2036	20"	36"	28"	120	12	\$1,863
APPEDLF2436	24"	36"	28"	128	14	\$1,918

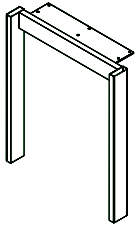


Supporting Hinged Door Cabinet, No Top, 1 Adjustable Shelf (Face lock, APH1 handles)

Model#	Depth	Width	Height	Weight	Cube	Price
APPEDHDC2036	20"	36"	28"	104	12	\$1,632
APPEDHDC2436	24"	36"	28"	115	14	\$1,671

Worksurfaces Supports 15 DAYS

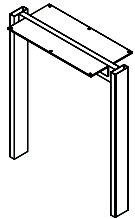
(Legs, Bases and Stabilizers)



Double Post Leg, Silver Finish

Model#	Depth	Width	Height	Weight	Cube	Price
APODPL24	24"	3"	28"	22	3	\$555
APODPL30	30"	3"	28"	26	4	\$594
APODPL48	48"	3"	28"	40	6	\$733

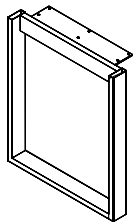
NOTE: 2 Stabilizer bars are required on 60", 66" & 72" wide worksurfaces when supporting with left & right Double post leg.



Shared Double Post Leg, Silver Finish

Model#	Depth	Width	Height	Weight	Cube	Price
APDPL24	24"	3"	28"	32	4	\$691
APDPL30	30"	3"	28"	36	5	\$750

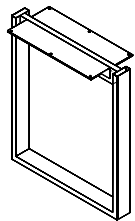
Use to support two worksurfaces.



D-Leg, Silver Finish

Model#	Depth	Width	Height	Weight	Cube	Price
APODL24	24"	3"	28"	26	3	\$416
APODL30	30"	3"	28"	29	4	\$443
APODL48	48"	3"	28"	44	6	\$849

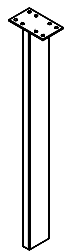
NOTE: 2 Stabilizer bars are required on 60", 66" & 72" wide worksurfaces when supporting with left & right Double post leg.



Shared D-Leg, Silver Finish

Model#	Depth	Width	Height	Weight	Cube	Price
APMDL24	24"	3"	28"	37	4	\$810
APMDL30	30"	3"	28"	40	5	\$864

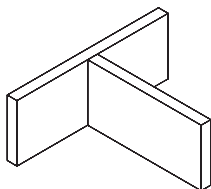
Use to support two worksurfaces.



Single Post, Silver Finish

Model#	Depth	Width	Height	Weight	Cube	Price
APSPL28	1"	3"	28"	6	1	\$225

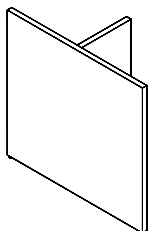
Field install with #8 x 1" wood screws



Support T-Leg, TFM (For low credenza)

Model#	Depth	Width	Height	Fits Top Depth	Weight	Cube	Price
APTLEG2406	16"	13"	6"	24"	4	1	\$182
APTLEG3006	22"	13"	6"	30"	5	1	\$192

Must be ordered when specifying modesty below worksurface. Supports worksurface above low credenza, pin and cam connection to worksurface underside.



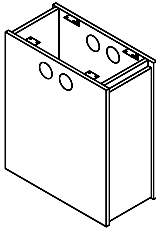
T-Leg, TFM

Model#	Depth	Width	Height	Weight	Cube	Price
APTLEG20	20"	13"	28"	26"	5	\$191
APTLEG24	24"	13"	28"	27	6	\$207
APTLEG30	30"	13"	28"	31	7	\$215

NOTE: 2 Stabilizer bars are required on 60", 66" & 72" wide worksurfaces when supporting with left & right T-leg.

Worksurfaces Supports 15 DAYS

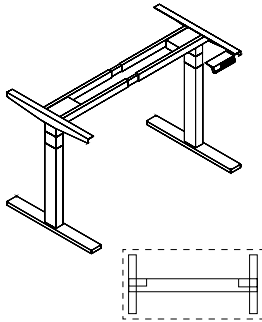
(Legs, Bases and Stabilizers)



Square Panel Base (Hollow with end access door)

Model#	Depth	Width	Height	Weight	Cube	Price
APLEGM1224	12"	24"	28"	47	5	\$605

Four grommet cut-outs standard.
To be used with shared worksurfaces and wire management troughs.



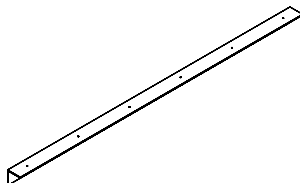
Adjustable Height Electrical Base

Model#	Base(D)	Base (W)	Height	Fits Top Size	Color	Weight	Cube	Price
MMLEGAHE24S	22"	47-72"	23 1/2-49"	24"D-72"W	Silver	64	1	\$1,498
MMLEGAHE30S	28"	47-72"	23 1/2-49"	30"D-72"W	Silver	64	1	\$1,498

Bases ship unassembled unless otherwise specified. 2 Stage Base.

External Stabilizer Bar Specification Guide		Worksurface Width			
SUPPORT 1	SUPPORT 2	72"	66"	60"	54"
* D-LEG	D-LEG	* (2) APSB72	* (2) APSB66	* (2) APSB60	APSB54
* D-LEG	T-LEG	* (2) APSB72	* (2) APSB66	* (2) APSB60	APSB54
D-LEG	PEDESTAL (BBF or FF)	APSB60	APSB54	N/A	N/A
D-LEG	LAT/PLF/HDC	N/A	N/A	N/A	N/A
T-LEG	T-LEG	APSB60	APSB54	N/A	N/A
T-LEG	PEDESTAL	APSB54	N/A	N/A	N/A
T-LEG	LAT/PLF/HDC	N/A	N/A	N/A	N/A
PEDESTAL	PEDESTAL	APSB54	N/A	N/A	N/A
PEDESTAL	LAT/PLF/HDC	N/A	N/A	N/A	N/A

* NOTE: 2 stabilizer bars are required on 60", 66" & 72" wide worksurfaces when supported by left or right double post leg, D-legs or T-legs. If a modesty panel (TFM or HPL) is being specified only one stabilizer bar is required, acrylic modesty requires 2 stabilizer bars.

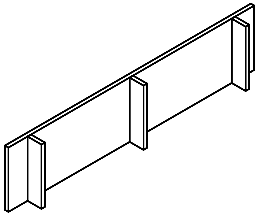
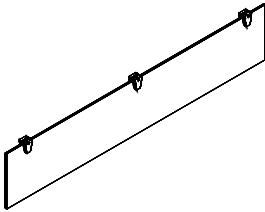
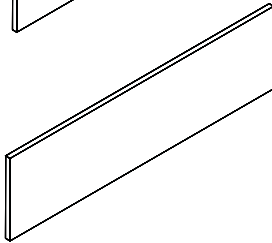
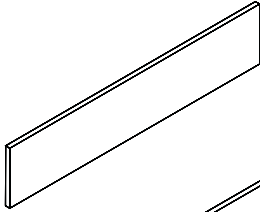
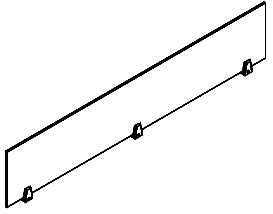


External Stabilizer Bar

Model#	Depth	Width	Height	Fits Top	Weight	Cube	Price
APSB54	1"	35"	1"	54"W	5	1	\$141
APSB60	1"	44"	1"	60"W	6	1	\$155
APSB66	1"	50"	1"	66"W	7	1	\$167
APSB72	1"	56"	1"	72"W	8	1	\$181

Stabilizer bars are recommended to be field installed between user & approach side with #8 x 1" wood screws.

Privacy Screens 15 DAYS



Frosted Acrylic Privacy Screen (3/8" Thick acrylic)

Model#	Depth	Width	Height	Fits Top	Weight	Cube	Price
APPSU48	1"	41"	12"	48"W	9	1	\$574
APPSU60	1"	53"	12"	60"W	11	1	\$829
APPSU72	1"	65"	12"	72"W	13	1	\$844

APPSL48 include two mounting clips.

TFM Privacy Screen (1" Thick)

Model#	Depth	Width	Height	Fits Top	Weight	Cube	Price
APPSUW6012	1"	53"	12"	60"W	19	1	\$182
APPSUW7212	1"	65"	12"	72"W	23	1	\$193

TFM Privacy Screen (1" Thick)

Model#	Depth	Width	Height	Fits Top	Weight	Cube	Price
APPSUW6015	1"	53"	15"	60"W	24	1	\$363
APPSUW7215	1"	65"	15"	72"W	29	1	\$389

NOTE: Privacy screen location, center left to right is standard on tops.

Modesty Panels 15 DAYS

Frosted Acrylic Modesty Panel (3/8" Thick acrylic)

Model#	Depth	Width	Height	Fits Top	Weight	Cube	Price
APPSL48	1"	41"	12"	48"W	9	2	\$574
APPSL60	1"	53"	12"	60"W	11	2	\$829
APPSL72	1"	65"	12"	72"W	13	2	\$844

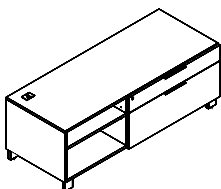
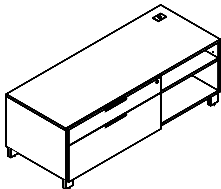
APPSL48 include two mounting clips.

TFM Modesty Panel (3/4" Thick)

Model#	Depth	Width	Height	Fits Top	Weight	Cube	Price
APPSLW60	4"	53"	12"	60"W	16	2	\$182
APPSLW72	4"	65"	12"	72"W	19	2	\$193

NOTE: Standard modesty panel Location, center left to right flush to approach under tops, except 36"D tops inset 6".

Low Credenzas 15 DAYS



Left Single Box/Lateral Credenza, (Silver feet, locking, 1 adjustable shelf, 4 grommets)

Model#	Depth	Width	Height	Weight	Cube	Price
APSBL2060L	20"	60"	22"	165	16	\$2,419
APSBL2072L	20"	72"	22"	182	19	\$2,515
APSBL2460L	24"	60"	22"	181	19	\$2,547
APSBL2472L	24"	72"	22"	201	22	\$2,705

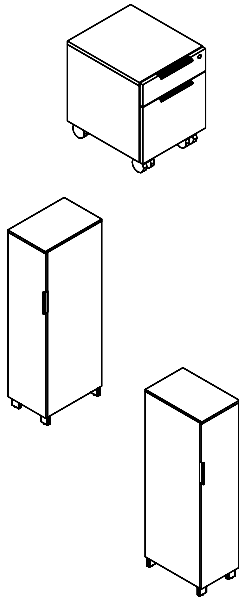
Standard right silver square grommet on top, modesty, adjustable shelf and bottom shelf.

Right Single Box/Lateral Credenza, (Silver feet, locking, 1 adjustable shelf, 4 grommets)

Model#	Depth	Width	Height	Weight	Cube	Price
APSBL2060R	20"	60"	22"	165	16	\$2,419
APSBL2072R	20"	72"	22"	182	19	\$2,515
APSBL2460R	24"	60"	22"	181	19	\$2,547
APSBL2472R	24"	72"	22"	201	22	\$2,705

Standard left silver square grommet on top, modesty, adjustable shelf and bottom shelf.

Freestanding Storage 15 DAYS



Mobile Pedestal Box/File (APH1 handles, face lock)

Model#	Depth	Width	Height	Weight	Cube	Price
APPEDAX20BF	20"	16"	22"	73	5	\$1,249
APPEDAX24BF	24"	16"	22"	78	7	\$1,280

* Seating weight capacity 175lbs.

Left Single Storage Cabinet, Silver Feet (Left door)

Model#	Depth	Width	Height	# of Shelves	Weight	Cube	Price
APSTS2465L	24"	16"	65"	3	151	15	\$2,188

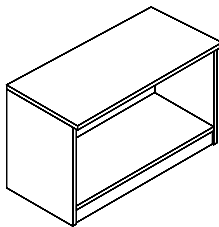
Optional lock available, add MMFL \$118.

Right Single Storage Cabinet, Silver Feet (Right door)

Model#	Depth	Width	Height	# of Shelves	Weight	Cube	Price
APSTS2465R	24"	16"	65"	3	151	15	\$2,188

Optional lock available, add MMFL \$118.

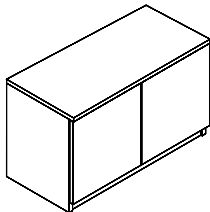
Overhead Storage 15 DAYS



Wall Mount Cabinet, No Doors, with Fascia

Model#	Depth	Width	Height	Weight	Cube	Price
APCFOH030	14 3/4"	30"	18 1/2"	47	5	\$757
APCFOH036	14 3/4"	36"	18 1/2"	53	6	\$899

Optional tasklight APTSKLTX24, add \$291.
Requires professional installation and must be mounted to wall stud.
35lb. weight capacity distributed evenly.

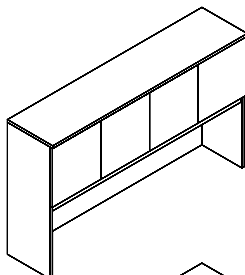


Wall Mount Cabinet with Laminate Hinged Doors, with Fascia

Model#	Depth	Width	Height	# of Doors	Weight	Cube	Price
APCFOHD30	14 3/4"	30"	18 1/2"	2	58	5	\$1,107
APCFOHD36	14 3/4"	36"	18 1/2"	2	67	6	\$1,138

Optional tasklight APTSKLTX24, add \$291. For face lock, add MMFL \$118.
Requires professional installation and must be mounted to wall stud.
35lb. weight capacity distributed evenly.

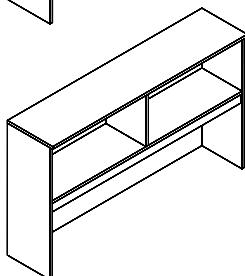
Hutches 15 DAYS



Hutch with Laminate Hinged Doors, with Fascia (Bottom clearance 17 1/4"H from fascia)

Model#	Depth	Width	Height	# of Doors	Weight	Cube	Price
APH48WD	14"	48"	36"	4	108	14	\$1,359
APH60WD	14"	60"	36"	4	129	18	\$1,487
APH72WD	14"	72"	36"	4	149	21	\$1,641

Optional tasklight APTSKLTX24, add \$291.
Optional face locks (two locks required for 4 doors), add MMFL \$118/each.
35lb. weight capacity distributed evenly.

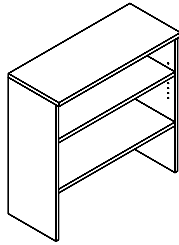


Hutch, No Doors, with Fascia (Bottom clearance 17 1/4"H from fascia)

Model#	Depth	Width	Height	Weight	Cube	Price
APH48ND	14"	48"	36"	92	14	\$1,029
APH60ND	14"	60"	36"	109	18	\$1,122
APH72ND	14"	72"	36"	125	21	\$1,249

Optional tasklight APTSKLTX24, add \$291.
35lb. weight capacity distributed evenly.

Hutches 15 DAYS

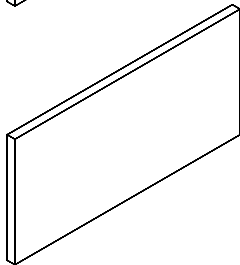
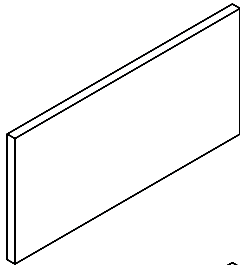


Bookcase Hutch, 1-Fixed and 1-Adjustable Shelf (Bottom clearance 12"H)

Model#	Depth	Width	Height	Weight	Cube	Price
APBCH36	14"	36"	36"	79	11	\$632

Bottom clearance 12"H.
35lb. weight capacity distributed evenly.

Tackboards 15 DAYS



Tackboard (For 36"H hutches)

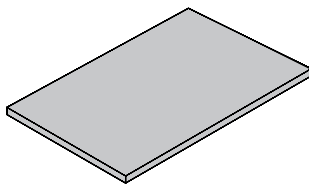
Model#	Depth	Width	Height	Hutch Width	Weight	Cube	Price
APTKBD1948	1"	46"	19"	48"W	8	1	\$590
APTKBD1960	1"	58"	19"	60"W	10	1	\$683
APTKBD1972	1"	70"	19"	72"W	12	1	\$781

For fabric options, see color chart.

Tackboard (For 15"H TFM privacy screens)

Model#	Depth	Width	Height	Fits Privacy Screen	Weight	Cube	Price
APTKBD1059	1"	58"	10"	59"W	6	1	\$657
APTKBD1065	1"	64"	10"	65"W	6	1	\$703

For fabric options, see color chart.



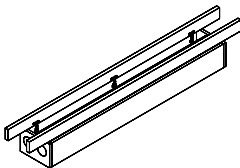
Cushions 15 DAYS

Cushion (For mobile pedestals and credenzas)

Model#	Depth	Width	Height	Weight	Cube	Price
APCUH2016	19"	16"	1"	4	1	\$330
APCUH2416	23"	16"	1"	5	1	\$352
APCUH2036	19"	36"	1"	8	1	\$413
APCUH2436	23"	36"	1"	10	1	\$440

16"w for pedestal and 36"w for credenza. For fabric options, see color chart.

Wire Management 15 DAYS

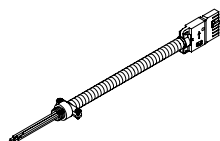


Outer Wire Management Trough with Hinged Doors

Model#	Depth	Width	Height	Weight	Cube	Price
APWMT060	10"	47"	8"	58	3	\$922
APWMT072	10"	59"	8"	69	4	\$1,162

Designed to fit shared worksurfaces only. To be used between one metal support leg and one square panel base. Grommet holes one side only.

Data/Power Management 15 DAYS



Electrical Starter Cable (8 wire, 4 circuit)

Model#	Depth	Width	Height	Weight	Cube	Price
APESC72	1"	72"	1"	3	1	\$296

* Must be connected to a building electrical supply by licensed electrician.
(40) outlets maximum per single feed. (Available for freestanding trough)

Data/Power Management 15 DAYS



Daisy Chain Electrical Cable

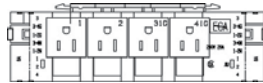
Model#	Depth	Width	Height	Weight	Cube	Price
APDCE24	1"	24"	1"	2	1	\$209
APDCE36	1"	28"	1"	2	1	\$241
APDCE48	1"	40"	1"	2	1	\$266
APDCE54	1"	46"	1"	2	1	\$296
APDCE60	1"	52"	1"	3	1	\$296
APDCE66	1"	58"	1"	3	1	\$317
APDCE72	1"	64"	1"	3	1	\$328



Single-Sided Power Box (Four power outlets)

Model#	Depth	Width	Height	Weight	Cube	Price
APSSPB4	1 1/4"	9 5/16"	2 1/4"	1	1	\$231

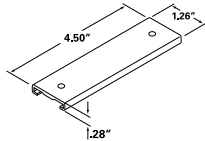
* Can be mounted below worksurfaces or in wire management troughs.
Includes (1) circuit 1, (1) circuit 2, (1) circuit IG, (1) circuit 4. (Available for freestanding trough)



Double-Sided Power Box (Eight power outlets)

Model#	Depth	Width	Height	Weight	Cube	Price
APSSPB8	2"	8 7/16"	2 1/2"	1	1	\$380

Can be mounted below worksurfaces only.
Includes (2) circuit 1, (2) circuit 2, (2) circuit IG, (2) circuit 4. (1) mounting bracket MB



Spine Wire Management

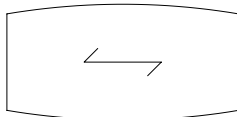
Model#	Depth	Width	Height	Weight	Cube	Price
APSWM	1 3/8"	2 1/2"	28"	1	1	\$274

* Wire management from floor to underside of work surface (Field installed).
Finish: Silver. (Available for freestanding trough).



conference collection

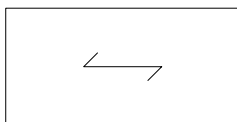
Apex Conference Table Tops 15 DAYS



Boatshape Conference Table Top (1 3/4" Thick build up edge, square corners)

Model#	Depth	Width	Height	Top	Weight	Cube	Price
APBS3672	30"/ 36"	72"	1 3/4"	1 pc	185	9	\$1,096
APBS4284	36"/ 42"	84"	1 3/4"	1 pc	250	10	\$1,226
APBS4296	36"/ 42"	96"	1 3/4"	1 pc	310	12	\$1,352
APBS42120	36"/ 42"	120"	1 3/4"	2 pcs	335	15	\$1,627
APBS48120	42"/ 48"	120"	1 3/4"	2 pcs	335	17	\$1,902
APBS42144	36"/ 42"	144"	1 3/4"	2 pcs	360	18	\$2,539
APBS48144	42"/ 48"	144"	1 3/4"	2 pcs	360	19	\$2,668

Tops width of 120" are made in 2-piece top, requires 3 bases.

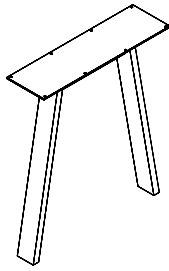


Rectangular Conference Table Top (1 3/4" Thick build up edge, square corners)

Model#	Depth	Width	Height	Top	Weight	Cube	Price
APRE3672	36"	72"	1 3/4"	1 pc	185	9	\$1,052
APRE4284	42"	84"	1 3/4"	1 pc	250	10	\$1,096
APRE4296	42"	96"	1 3/4"	1 pc	310	12	\$1,264
APRE4896	48"	96"	1 3/4"	1 pc	154	5	\$1,742
APRE42120	42"	120"	1 3/4"	2 pcs	335	15	\$1,583
APRE48120	48"	120"	1 3/4"	2 pcs	335	17	\$1,902
APRE42144	42"	144"	1 3/4"	2 pcs	360	18	\$2,386
APRE48144	48"	144"	1 3/4"	2 pcs	360	19	\$2,564

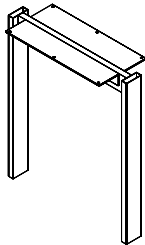
Tops width of 120" are made in 2-piece top, requires 3 bases.

Apex Metal Legs for Conference Table Tops



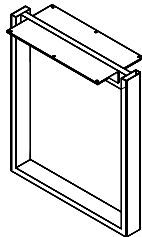
A-Frame Leg

Model#	Depth	Width	Height	Color	Top Depth	Weight	Cube	Price
APLEGA20B	20"	6"	28"	Black	36"	26	3	\$700
APLEGA20S	20"	6"	28"	Silver	36"	26	3	\$700
APLEGA20W	20"	6"	28"	White	36"	26	3	\$700
APLEGA24B	24"	6"	28"	Black	42" & 48"	32	4	\$764
APLEGA24S	24"	6"	28"	Silver	42" & 48"	32	4	\$764
APLEGA24W	24"	6"	28"	White	42" & 48"	32	4	\$764
APLEGA30B	30"	6"	28"	Black	54" & 60"	36	5	\$823
APLEGA30S	30"	6"	28"	Silver	54" & 60"	36	5	\$823
APLEGA30W	30"	6"	28"	White	54" & 60"	36	5	\$823



Shared Double Post Leg

Model#	Depth	Width	Height	Color	Top Depth	Weight	Cube	Price
APDPML20B	20"	9"	28"	Black	36"	26	3	\$624
APDPML20S	20"	9"	28"	Silver	36"	26	3	\$624
APDPML20W	20"	9"	28"	White	36"	26	3	\$624
APDPML24B	24"	9"	28"	Black	42" & 48"	32	4	\$691
APDPML24S	24"	9"	28"	Silver	42" & 48"	32	4	\$691
APDPML24W	24"	9"	28"	White	42" & 48"	32	4	\$691
APDPML30B	30"	9"	28"	Black	54" & 60"	36	5	\$750
APDPML30S	30"	9"	28"	Silver	54" & 60"	36	5	\$750
APDPML30W	30"	9"	28"	White	54" & 60"	36	5	\$750

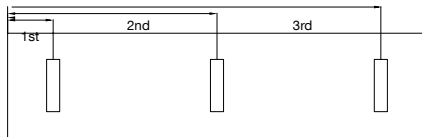


Shared D-Leg

Model#	Depth	Width	Height	Color	Top Depth	Weight	Cube	Price
APMDL20B	20"	9"	28"	Black	36"	28	3	\$780
APMDL20S	20"	9"	28"	Silver	36"	28	3	\$780
APMDL20W	20"	9"	28"	White	36"	28	3	\$780
APMDL24B	24"	9"	28"	Black	42" & 48"	37	4	\$810
APMDL24S	24"	9"	28"	Silver	42" & 48"	37	4	\$810
APMDL24W	24"	9"	28"	White	42" & 48"	37	4	\$810
APMDL30B	30"	9"	28"	Black	54" & 60"	40	5	\$864
APMDL30S	30"	9"	28"	Silver	54" & 60"	40	5	\$864
APMDL30W	30"	9"	28"	White	54" & 60"	40	5	\$864

Base Placement for Apex Metal Bases

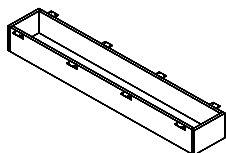
Legs Required & Leg Placement for Apex Metal Legs



Tops	Table Depth	Table Width	Center of 1st Base	Center of 2nd Base	Center of 3rd Base	Stabilizers
1pc	36"	72"	20"	52"		
1pc	42"	84"	20"	64"		(2) MMSB54
1pc	42"	96"	20"	76"		(2) MMSB66
2pcs	42"	120"	20"	60"	100"	
2pcs	48"	120"	20"	60"	100"	
2pcs	42"	144"	20"	72"	124"	(4) MMSB60
2pcs	48"	144"	20"	72"	124"	(4) MMSB60

Required stabilizer bars between legs/bases:
 Conference table tops 42"D x 84"W • two stabilizer bars : Add model# MMSB54 \$141 (ea.)
 Conference table tops 42"D - 48"D x 96"W • two stabilizer bars : Add model# MMSB66 \$167 (ea.)
 Conference table tops 42"D - 48"D x 144"W • four stabilizer bars : Add model# MMSB60 \$155 (ea.)

Wire Management



Wire Management Trough Box (With bottom cut-out)

Model#	Depth	Width	Height	Price
APWMT	11"	Varies	7"	\$526

APWMT use with Apex metal legs only. Dimensions are based on conference table sizes.
 Troughs: 2 legs requires 1 • 3 legs requires 2 • 4 legs requires 3 • 5 legs requires 4.
 Wire access bottom cut-out 3"D. Width varies.

Data/Power Management for Conference Table Top

15
DAYS



Round Power Grommet (1 Power, 2 Power USB, 1 switching adapter, 60" power cord)

Model#	Depth	Width	Surface Hold Diameter	Color	Weight	Cube	Price
GRPRGR3B	3 1/2"	3 1/2"	3 3/16"	Black	2	1	\$268
GRPRGR3S	3 1/2"	3 1/2"	3 3/16"	Silver	2	1	\$268

Includes top cut-out. Specify cut-out location: center • left • right.



Rectangular Power Grommet (1 Power, 2 Power USB with adapter, 108" power cord)

Model#	Depth	Width	Height	Color	Weight	Cube	Price
APRPG1B	2 1/4"	3 3/4"	3"	Black	2	1	\$588
APRPG1S	2 1/4"	3 3/4"	3"	Silver	2	1	\$588
APRPG1GW	2 1/4"	3 3/4"	3"	Gloss White	2	1	\$588

Includes top cut-out. Specify cut-out location: center • left • right.



Plastic Black Power Management Unit

(1 Phone, 1 Data, 3 Outlets, 1 Power USB with adapter)

Model#	Dimensions	Color	Weight	Cube	Price
MMPWRDLX	2 7/8"D x 8 3/4"W	Black	2	1	\$603

Includes top cut-out (horizontal). Specify cut-out location: center • left • right.
Note: Includes 8 wire management clips. Data capability CAT5. Surge protected - 10' power cord.



Metal Power Management Unit

(2 Power, 2 Power USB with adapter, 1 HDMI, 1 RJ45, 1 RJ11)

Model#	Dimensions	Color	Weight	Cube	Price
MMPWRDLX2S	5 3/8"D x 9"W	Brushed Silver	2	1	\$1,644
MMPWRDLX2B	5 3/8"D x 9"W	Black	2	1	\$1,644

Includes top cut-out (horizontal). Specify cut-out location: center • left • right.
Note: Includes 8 wire management clips. Data capability CAT6. Surge protected - 6' power cord.



Plastic Data Station Power Management Unit

(2 AC Outlets, 2 USB-A, 2 USB Data, 1 Ethernet RJ45, 1 Phone RJ11, 1 HDMI)

Model#	Dimensions	Color	Weight	Cube	Price
MMPWRDLX3B	4 7/8"D x 8 3/4"W	Black	3	1	\$724
MMPWRDLX3W	4 7/8"D x 8 3/4"W	White	3	1	\$724

Includes top cut-out (horizontal). Specify cut-out location: center • left • right.
10' power cord.



Metal Reef Power Management Unit

(1 HDMI with adapter, 1 VGA, 1 Audio, 2 RJ45, 3 Power, 2 Power USB with adapter)

Model#	Dimensions	Color	Weight	Cube	Price
MMRPMU16B	6 1/4"D x 16"W	Black	24	2	\$2,770
MMRPMU16S	6 1/4"D x 16"W	Silver	24	2	\$2,770

Includes top cut-out center location only, horizontal between bases. See below.
For horizontal cut-out over bases, add MMCUT2 \$234 for each power base.
For vertical cut-out location over bases, must specify on order. No charge.
Data capability CAT6. 10' power cord.

NOTE: Data/power managements cannot be installed directly over metal legs.



**15
DAY**

LEAD
TIME

15 Day Lead Time applies to:

- For Maverick West, send complete purchase orders and all **signed** quotes and drawings to **orderentry@maverickdesk.com**
- For Maverick East, send complete purchase orders and all **signed** quotes and drawings to **mveorders@maverickdesk.com**
- No changes can be made on an order after 48 hours of receiving purchase order.
- Orders over **\$10K Net** need to confirm lead time with customer service.
- If going outside of the fabrics listed in the Apex QS brochure, please check availability with customer service. COMs are not available for 15 Day Lead Time.
- 20 colors available.

apex color options

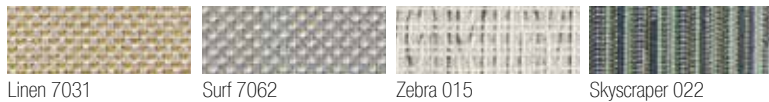


tackboard fabric options

Anchorage 2335



Cape Cod 3073



Tempest 2120 Metro 3077

Metallation 5118



Sprite 2671

Phrase 9508



handle & grommet



APH1
Smooth, Curved Edge Handle in Brushed Aluminum



APRG1S
Square Grommet - Silver

Laminate finishes shown are approximations. Colors may vary between factories. TFM & HPL laminate finishes will vary.
For sample requests, email Maverick West: orderentry@maverickdesk.com. Maverick East: mveorders@maverickdesk.com
Note: Renderings & line drawings shown are a resemblance to finished product. Product designs may vary. Discounts are different between factories.

APEX

QUICK SHIP 

